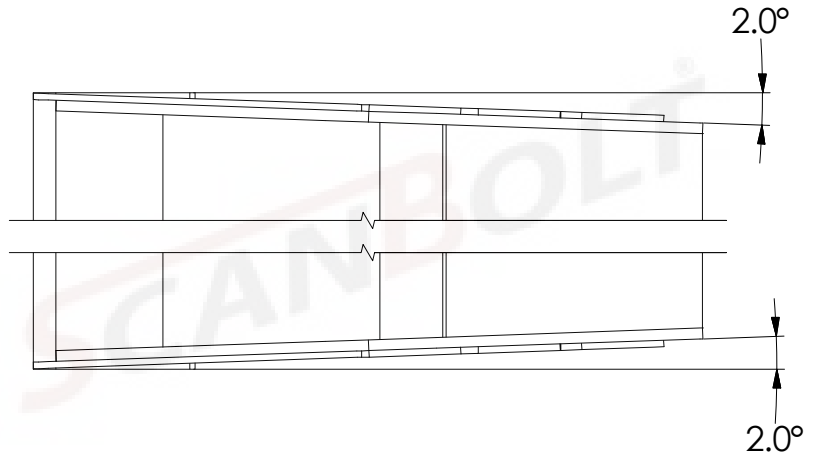
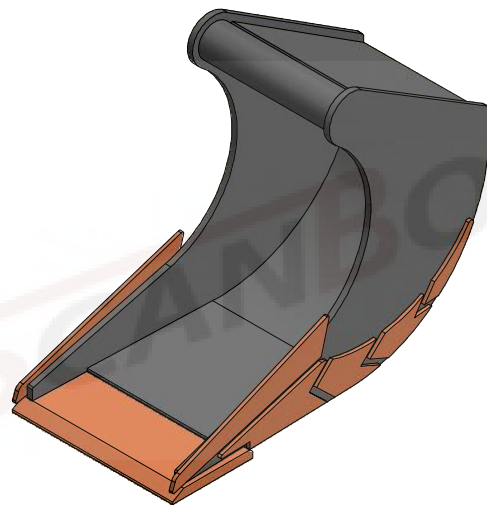


8 7 6 5 4 3 2 1



D

D

C

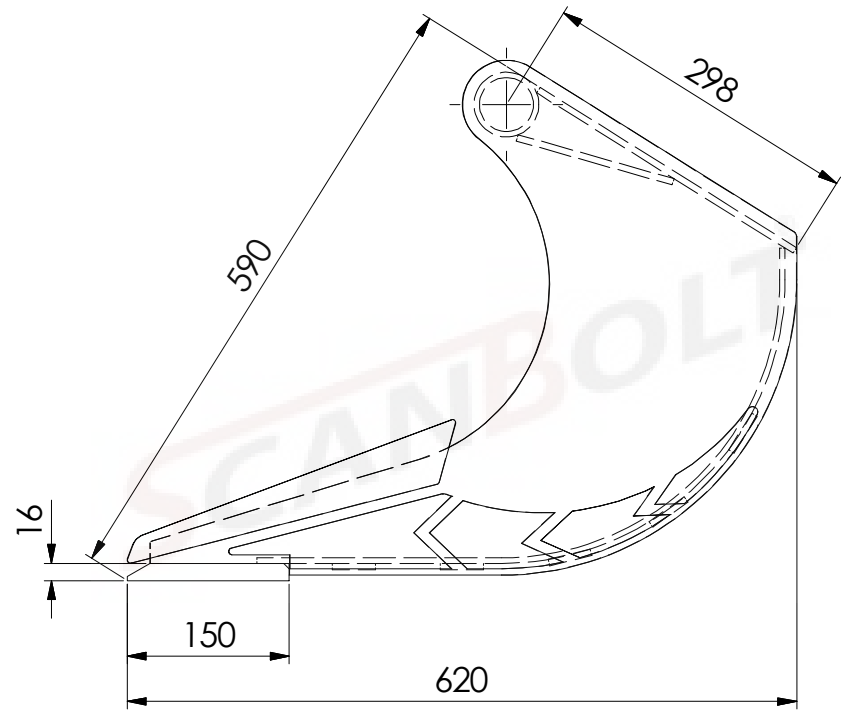
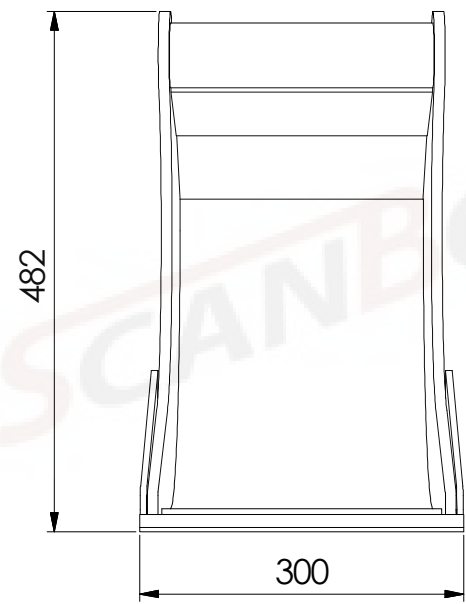
C






B

B

A

A



MATERIAL SPECIFICATION	
	ST52.3
	EN8D
	HB 400
	HB 450
	CASTALLOY STEEL

SCANBOLT®	
DESCRIPTION	30 CM CLAY BUCKET
MACHINE CLASS	2.5 - 3.4 TON
WEIGHT	42 Kg
HEAPED CAPACITY	46 LITERS

8 7 6 5 4 3 2 1